



TASK FORCE TIPS®

FIRE FIGHTING EQUIPMENT



Handwritten notes on a diamond-shaped piece of paper:

Baffle D 2.605
A₁ = 1.5708
= 5.458
F = A x A
= 5.458 x 1.5708 = 8.575
unbalanced force on baffle
Screw Shaft
Spring
if rate = 100 lb/in = initial 5 1/2" in 550 lb
to open 1/2" = +50 lb
50 lb / 5.45 = 9.17 psi
100 + 9.20 = 109 psi for
full open
5/16" dia

Innovations over time for industry....THE **BLITZFIRE**



Innovations over time for industry....THE **BLITZFIRE**

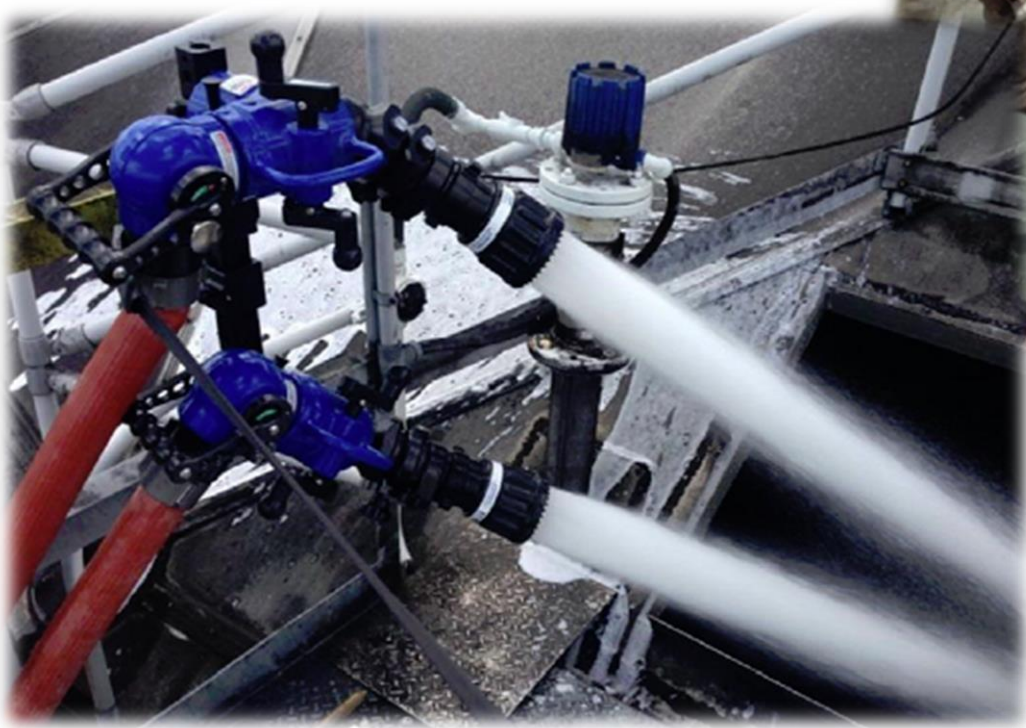




Innovations over time for industry....THE

HEMISPHERE™





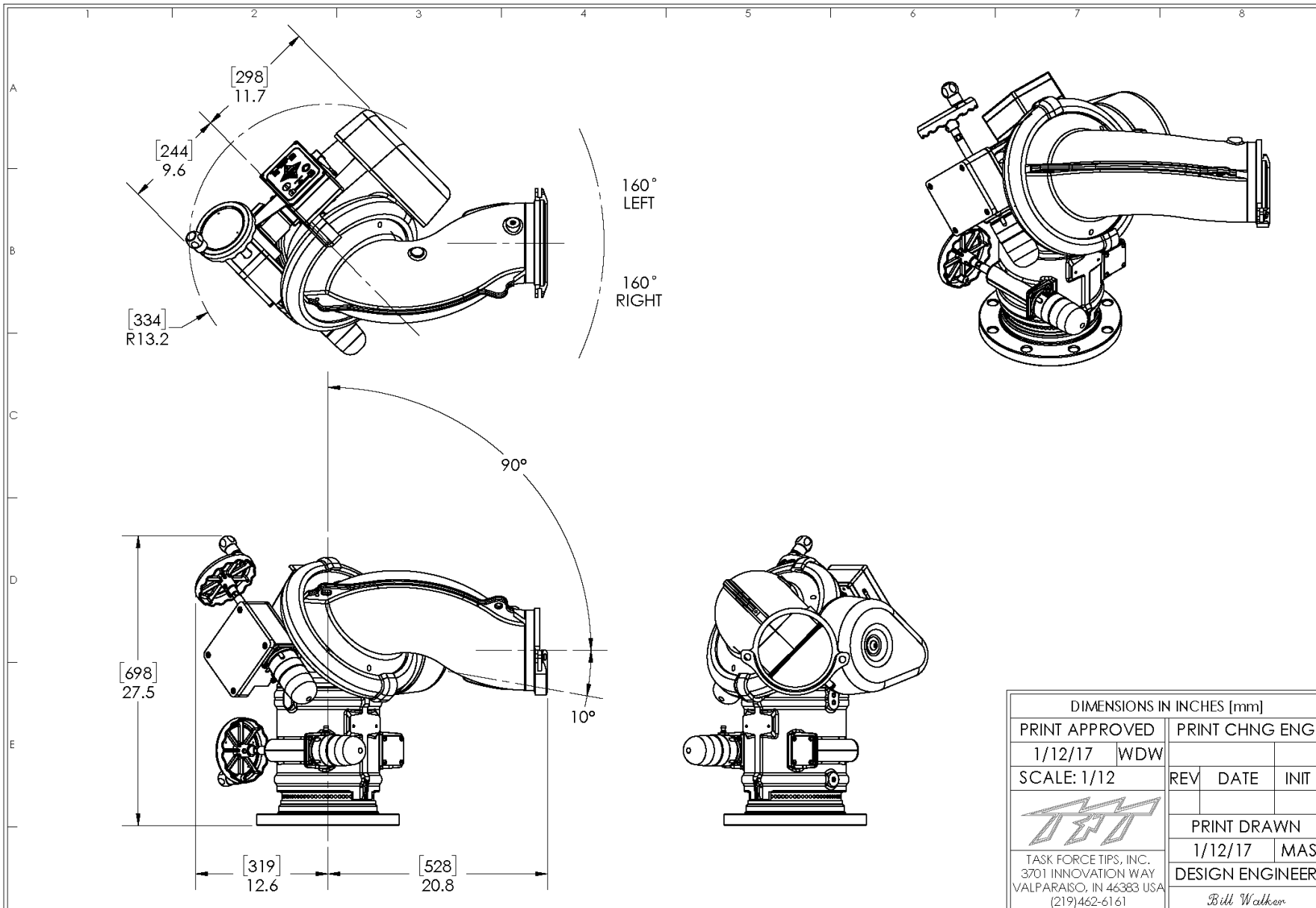
TODAYS
Innovation.....




TSUNAMI ™

TODAYS Innovation.....





DIMENSIONS IN INCHES [mm]		
PRINT APPROVED	PRINT CHNG ENG	
1/12/17	WDW	
SCALE: 1/12	REV	DATE INIT
 TASK FORCE TIPS, INC. 3701 INNOVATION WAY VALPARAISO, IN 46383 USA (219)462-6161	PRINT DRAWN	
	1/12/17	MAS
	DESIGN ENGINEER	
<i>Bill Walker</i>		

ITEM: Y8-E11A	SHEET 1 of 1	DESCR: TSUNAMI RC 8" ANSI 150 INLET
EXTRA DESCR: QUICK CONNECT OUTLET ALUMINUM		

TFT_APR12SLD.DRT



- 5 inch smooth bore
- 9,000 GPM
- 503 feet
- (153 meters) of reach



- 4 inch smooth bore
- VERTICAL height achieved of 300 feet (91 meters)